



Journal
of
THE ROYAL AERONAUTICAL SOCIETY

JANUARY 1961

CONTENTS

NOTICES

THE STORY OF INDIAN AIR TRANSPORT—
THE SIXTEENTH BRITISH COMMONWEALTH
LECTURE

J. R. D. TATA

CYLINDRICAL BENDING OF A HEATED LONG
RECTANGULAR PLATE

BURTON A. LIEB

ATMOSPHERIC TURBULENCE ON SOUTH
AFRICAN AIR ROUTES

E. C. HALLIDAY and J. A. KING

THE LECTURE THEATRE

THE HELICOPTER ASSOCIATION OF GREAT BRITAIN

J. W. RICHARDSON

TECHNICAL NOTES

On the Tension Loads in Rivets connecting Stringers to Shear-Buckled
Skin—E. H. MANSFIELD. Cabotage in Civil Aviation—CARL AGOSTINI.
Man Powered Flight in 1929—Comment by FRANZ VILLINGER and Reply
by DR. A. M. LIPPISCH.

THE BRANCHES

GRADUATES' AND STUDENTS' SECTION

THE LIBRARY

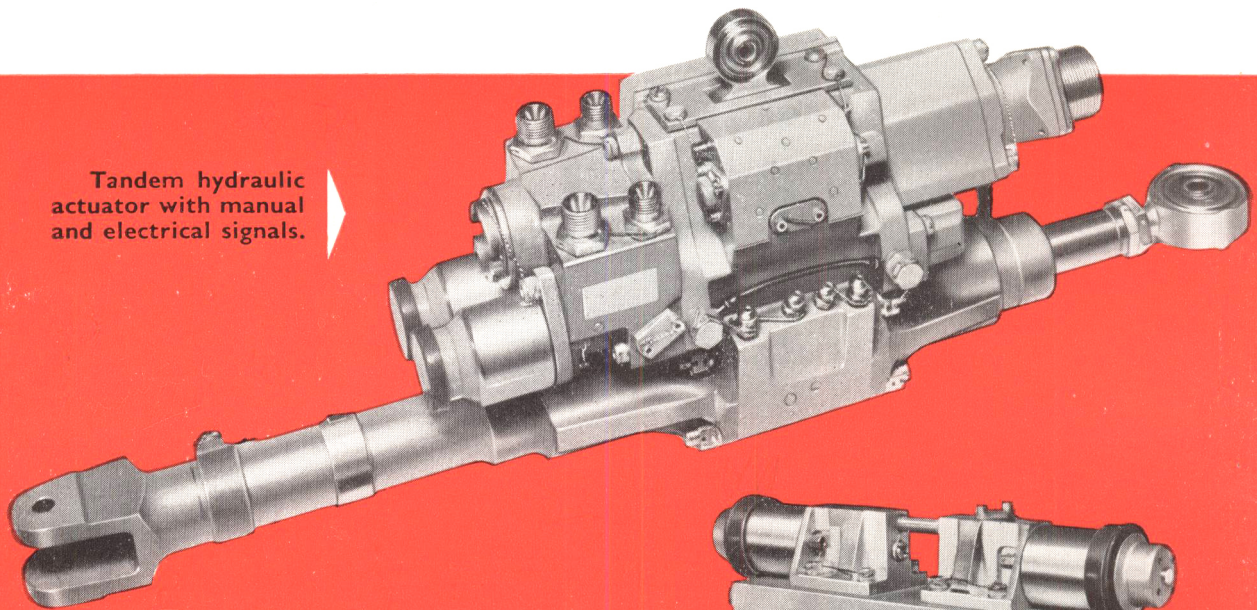
REVIEWS

TWELVE SHILLINGS AND SIXPENCE MONTHLY

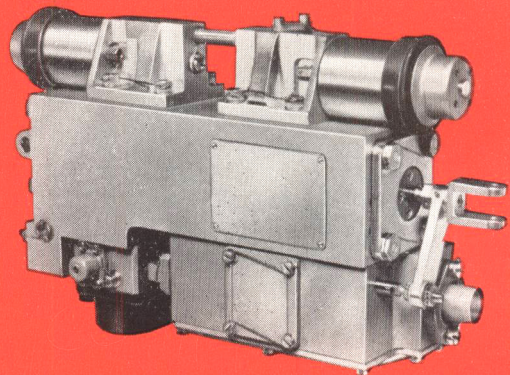
4 HAMILTON PLACE LONDON W1

FLYING CONTROL SERVOS

Tandem hydraulic
actuator with manual
and electrical signals.



Electrically signalled
hydraulic actuator
for autostabilisation.



HIGH FIDELITY COMPACT LIGHTWEIGHT UNITS
for piloted aircraft and guided weapons

DOWTY
ROTOL LIMITED

CHELTENHAM ROAD, GLOUCESTER
Member of the Dowty Group. Tel. Gloucester 24431