



THE AERONAUTICAL JOURNAL

MAY 1968

THE PRESIDENT

NOTICES

GRADUATES' AND STUDENTS' SECTION

BRANCHES

A. V. Cleaver LOOKING AHEAD IN AERONAUTICS—4: ASTRONAUTICS—ITS DEVELOPMENT DURING THE SECOND CENTURY OF THE RAeS (1966-2066)

Handel Davies SOME THOUGHTS ABOUT THE FUTURE OF EUROPEAN AERONAUTICS

Sir William Hildred THE FIRST BEAUMONT MEMORIAL LECTURE

E. S. Moulton SMALL AERO-ENGINES—PAST, PRESENT AND FUTURE

CORRESPONDENCE

P. A. Norman MANAGING COSTS FOR PROFIT—PART I

TECHNICAL NOTES

P. W. Sharman and J. Humpherson An Experimental and Theoretical Investigation of Simply-Supported Thin Plates Subjected to Lateral Load and Uniaxial Compression

B. G. Newman A Proof of the Biot-Savart Law

A. J. Alexander Forward Speed Effects on Annular Jet Cushions

M. Langley The Five Point Loading Shear Stiffness Test

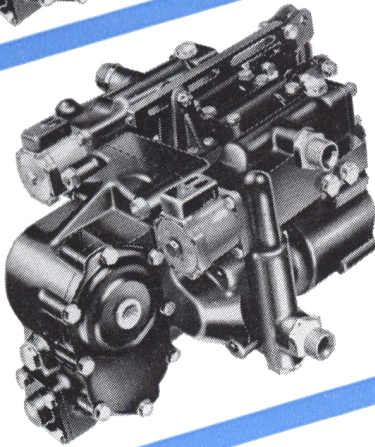
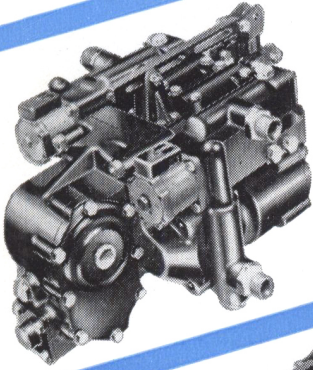
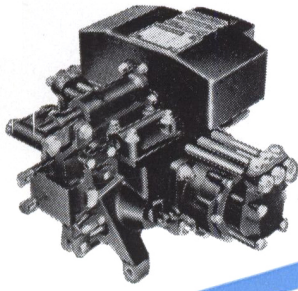
THE LIBRARY

Reviews: The Technical Development of Modern Aviation—The Ninth Air Force of World War II—History of Rocketry and Space Travel—Royal Air Force 1918—Thin Elastic Shells—Triumphs of Flight

Additions to the Library. Reports

THE ROYAL AERONAUTICAL SOCIETY

4 HAMILTON PLACE LONDON W1



HOBSON RATIONALISED FLAP CONTROL SYSTEMS

- SIMPLIFY SYSTEM DESIGN
- REDUCE DESIGN COST
- MINIMISE DEVELOPMENT
- ENSURE HIGH RELIABILITY
- SIMPLIFY LOGISTIC SUPPORT

Hobson
ESTABLISHED 1903

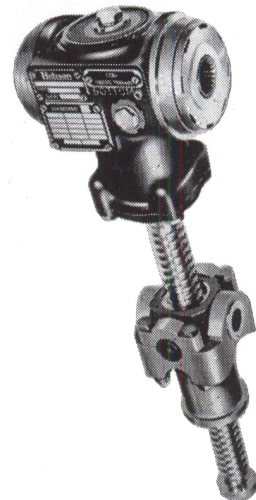
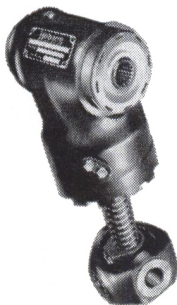
With over half-a-century's experience in the design and manufacture of precision engineering equipment for the aircraft industry, H. M. Hobson Ltd. is now able to offer complete Flap Operating Systems made up from a range of standard recirculating ball screw jacks, hydraulic drive units and transmission shaft assemblies. The range is extremely comprehensive and permits complete systems having optimum weight and performance, and satisfying widely differing requirements of load power and stroke, to be obtained.

Wide application of standard equipment results in large accumulated operational experience which automatically benefits each new user by ensuring a high level of reliability. Every item of this equipment embodies Hobson experience and background, generated in more than twelve years of activity in the design, development and manufacture of complete flap operating systems for many aircraft types, both civil and military.

H. M. HOBSON LIMITED

FORDHOUSES

WOLVERHAMPTON



THE AERONAUTICAL JOURNAL

THE ROYAL AERONAUTICAL SOCIETY

Incorporating The Institution of Aeronautical Engineers and The Helicopter Association of Great Britain

Published Monthly at 4 HAMILTON PLACE, LONDON W1

Telephone: 01-499 3515 Telegrams: Didaskalos, London, W1

VOLUME 72

NUMBER 689

MAY 1968

CONTENTS

	Page
THE PRESIDENT	XXXIX
NOTICES	XL
John Laurence Pritchard—Prizes for Written Papers—Presentation of the 1966 Alan Marsh Medal—The Revised Edition of the Centenary Journal with Stiff Covers—Honours Awarded to Members—New Fellows—UNESCO's Activities in Engineering—Test Pilot's Group AGM—Chartered Engineer's Certificates and Cards of Registration—Joint Meeting with the British Section of the Society of Civil Engineers of France—Robert Blackburn Memorial Trust Open Scholarship—Engineer's Foreign Language Circle—The Dorothy Spicer Memorial Award—4th International Forum for Air Cargo—Guild of Air Pilots and Navigators Air Display and Garden Party—Control System Performance Measurements—Production Control by Computer—Rotorcraft Section Garden Party—Acknowledgments—SI Units—Utilisation of Pyrotechnic and Explosive Elements in Space Designs—Other Meetings—RAF 50th Anniversary Celebrations—Elections—News of Members—6th. Congress of the International Council of the Aeronautical Sciences.	
GRADUATES' AND STUDENTS' SECTION	XLIV
BRANCHES	XLVI
A. V. Cleaver	373
LOOKING AHEAD IN AERONAUTICS—4: ASTRONAUTICS—ITS DEVELOPMENT DURING THE SECOND CENTURY OF THE RAeS (1966-2066)	
Handel Davies	385
SOME THOUGHTS ABOUT THE FUTURE OF EUROPEAN AERONAUTICS	
Sir William Hildred	396
THE FIRST BEAUMONT MEMORIAL LECTURE	
E. S. Moulton	409
SMALL AERO-ENGINES—PAST, PRESENT AND FUTURE	
	422
CORRESPONDENCE	
P. A. Norman	423
MANAGING COSTS FOR PROFIT—PART I	
	431
TECHNICAL NOTES	
P. W. Sharman and J. Humpherson	431
An Experimental and Theoretical Investigation of Simply-Supported Thin Plates Subjected to Lateral Load and Uniaxial Compression	
B. G. Newman	431
A Proof of the Biot-Savart Law	
A. J. Alexander	431
Forward Speed Effects on Annular Jet Cushions	
M. Langley	431
The Five Point Loading Shear Stiffness Test	
THE LIBRARY	443
Reviews: The Technical Development of Modern Aviation—The Ninth Air Force of World War II—History of Rocketry and Space Travel—Royal Air Force 1918—Thin Elastic Shells—Triumphs of Flight	
Additions to the Library. Reports	

SUPPLEMENTARY PAPERS

See Facing page 450

Editor: JOAN BRADBROOKE, MBE, ARAeS.

Assistant Editor: JOAN BRUCE, BSc, CEng, AFRAeS.

Secretary of the Society: A. M. BALLANTYNE, OBE, TD, BSc, PhD, CEng, FRAeS, HonFCASI.

4 HAMILTON PLACE, LONDON, W.1. 01-499 3515.

Advertisements Only:

J. W. WILLIAMS, DFC.

Magazine Advertising Ltd, 36-38 Whitefriars Street, London, EC4. Fleet Street 7539.

Reproduction of any of the papers published in this Journal is not permitted without the written consent of the Editor.

None of the papers or paragraphs must be taken as expressing the opinion of the Council unless otherwise stated.

Printed by The Lewes Press Wightman & Co. Ltd., Lewes, Sussex, England, and Published by The Royal Aeronautical Society, 4 Hamilton Place, London, W.1, England.

THE ROYAL AERONAUTICAL SOCIETY

OVERSEAS DIVISIONS

Australia

President: Dr. M. W. WOODS, FRAeS.
Hon. Secretary: W. ISBISTER, FRAeS, 19 Wallace Street, Burwood,
Sydney, New South Wales.
Branches at: Canberra, Sydney, Melbourne and Adelaide.

Rhodesia

Hon. President: Sir HUMPHREY GIBBS, KCMG, OBE.
President: I. NESBITT, ARAeS.
Hon. Secretary: S. H. GUY, AFRAeS, 76 Bidford Road, Chadcombe,
P.O. Hatfield, Salisbury, Rhodesia.
Branches at: Bulawayo, Gwelo and Salisbury.

New Zealand

President: Capt. J. H. MALCOLM, ARAeS.
Hon. Secretary: A. A. HOFFMAN, ARAeS, New Zealand National
Airways Corp'n, P.O. Box 96, Wellington.
Branches at: Auckland, Wellington, Palmerston North and Christ-
church.

Southern Africa

President: F. G. WESTON, MBE, ARAeS.
Hon. Secretary: Cmdt. F. W. CARNELL, AFRAeS, 11 Staal Road,
Valhalla, Pretoria Dist.
Branches at: Johannesburg, Pretoria, Cape Western and Durban.

BRANCHES IN THE UNITED KINGDOM

Bedford

President: R. HILLS, FRAeS.
Chairman: D. CLAYSON, ARAeS.
Hon. Secretary: T. E. B. BATEMAN, AFRAeS,
Aircraft Research Association, Manton
Lane, Bedford. *Tel:* Bedford 67701.

Belfast

President: P. F. FOREMAN, FRAeS.
Chairman: W. KAY, AFRAeS.
Hon. Secretary: T. E. MORRISON, AFRAeS,
4 Kingsland Park, Cherryvalley, Belfast 5.

Birmingham and Wolverhampton

President: L. W. J. NEWMAN, FRAeS.
Chairman: N. H. SHUTTLEWORTH, AFRAeS.
Hon. Secretary: I. B. CRIPPS, AFRAeS,
H. M. Hobson Ltd, Fordhouses, Wolver-
hampton, Staffs. *Tel:* Fordhouses 2381.

Boscombe Down

President: Air Cdre. C. D. A. BROWNE, DFC.
Chairman: G. MACLAREN-HUMPHREYS,
MBE, FRAeS.
Hon. Secretary:

Bristol

President: F. H. POLLICUTT, FRAeS.
Chairman: T. V. LAWSON, FRAeS.
Hon. Secretary: N. H. WOOD, Rolls-Royce
Ltd, Bristol Engine Division, Filton,
Bristol 7. *Tel:* Bristol 693871.

Brough

President: Capt. E. D. G. LEWIN, CB, CBE,
DSO, AFRAeS.
Chairman: R. D. BOOT, FRAeS.
Hon. Secretary: A. D. HOWARTH, ARAeS,
c/o Hawker Siddeley Aviation Ltd,
Brough, Yorkshire. *Tel:* Brough 667121,
Ext 314.

Cambridge

President: Professor W. A. MAIR, FRAeS.
Chairman: R. O. GATES, AFRAeS.
Hon. Secretary: D. J. COLE, Marshall of
Cambridge (Engineering) Ltd, Aircraft
Division, Airport Works, Cambridge. *Tel:*
Cambridge 56291.

Chester

President: K. G. HANCOCK, FRAeS.
Chairman: H. STRAWSON, AFRAeS.
Hon. Secretary: V. W. CLARKSON, ARAeS,
Hawker Siddeley Aviation Ltd, Broughton,
Chester. *Tel:* Chester 24646.

Christchurch

President: E. W. J. GRAY, FRAeS.
Chairman: H. E. VINCENT, AFRAeS.
Hon. Secretary: A. L. RUCKLEY, AFRAeS,
BAC (Op) Ltd, Design Office, Bourne-
mouth (Hurn) Airport, Christchurch,
Hants. *Tel:* Northbourne 3201.

Coventry

President: R. W. F. FARTHING, FRAeS.
Chairman: D. A. WOODLEY, FRAeS.
Hon. Secretary: G. W. COLLINS, AFRAeS,
Rocket Projects, Industrial and Marine
Gas Turbine Division, Rolls-Royce Ltd,
PO Box 72, Coventry, CV7 9JR, Warwick-
shire. *Tel:* Walsgrave-on-Sowe 3211.

Cranwell

President: Air Vice-Marshal T. N. STACK,
CVO, CBE, AFC.
Chairman: Wg. Cdr. J. SANDFORD, AFRAeS.
Hon. Secretary: V. R. HAAS, AFRAeS, Rolls-
Royce Ltd, Derby. DE2 8BJ. *Tel:* Derby
42424, Ext 946.

Derby

President: Sir DENNING PEARSON,
HonFRAeS.
Chairman: D. McLEAN, FRAeS.
Hon. Secretary: V. R. HAAS, AFRAeS, Rolls-
Royce Ltd, Derby. DE2 8BJ. *Tel:* Derby
42424, Ext 946.

Glasgow

President: Dr. A. W. BABISTER, AFRAeS.
Chairman: G. M. ADDISON, AFRAeS.
Hon. Secretary: T. K. BLACK, 43 Partickhill
Road, Glasgow, W.1.

Gloucester and Cheltenham

President: Sir GEORGE DOWTY, HonFRAeS.
Chairman: J. G. RUSSELL, FRAeS.
Hon. Secretary: C. E. HUTT, ARAeS, c/o
Smiths Industries Ltd, Bishops Cleeve,
Cheltenham, Glos. *Tel:* Bishops Cleeve
3333.

Halton

President: Air Vice-Marshal J. H. HUNTER-
TOD, OBE, FRAeS.
Chairman: Gp. Capt. C. V. G. USHER,
AFRAeS.
Hon. Secretary: Flt. Lt. C. R. MILES,
Officers' Mess, RAF Halton, Bucks. *Tel:*
Wendover 2241.

Hatfield

President: Air Cdre. F. R. BANKS, CB, OBE,
HonFRAeS.
Chairman: E. B. ROBINSON, AFRAeS.
Hon. Secretary: G. B. EVANS, AFRAeS,
Drawing Office, Hawker Siddeley Aviation
Ltd, Hatfield, Herts. *Tel:* Hatfield 2345,
Ext 274.

Isle of Wight

President: R. STANTON-JONES, AFRAeS.
Chairman: D. J. HARDY, AFRAeS.
Hon. Secretary: A. J. DEVEREUX, AFRAeS,
British Hovercraft Corporation Ltd, East
Cowes, Isle of Wight. *Tel:* Cowes 4121.

London Airport

President: C. ABELL, OBE, FRAeS.
Chairman: E. GREGORY, AFRAeS.
Hon. Secretary: N. BROWN, ARAeS, Techni-
cal Publications, Technical Block A,
G.3, BOAC, PO Box 10, Hounslow, Middle-
sex. *Tel:* Skyport 5511, Ext 2883.

Loughborough

President: Professor K. L. C. LEGG, FRAeS.
Chairman: Dr. K. B. AYERS, AFRAeS.
Hon. Secretary: F. G. MACCABEE, AFRAeS,
56 Holywell Drive, Loughborough, Leics.

Luton and Stevenage

President: J. E. RIDGWAY.
Chairman: Dr. W. F. HILTON, FRAeS.
Hon. Secretary: D. B. COLLINS, ARAeS,
English Electric Co. Ltd, Special Pro-
ducts Group, The Airport, Luton, Beds.
Tel: Luton 31441, Ext 134.

Manchester

President: C. E. FIELDING, OBE, FRAeS.
Chairman: M. J. BRENNAN, FRAeS.
Hon. Secretary: J. A. E. WATERFALL,
56 Manor Avenue, Ashton-on-Mersey,
Cheshire. *Tel:* Failsworth 2020.

Merthyr and Treforest

President: B. E. TREGANOWAN.
Chairman: E. R. CHAYTOR, AFRAeS.
Hon. Secretary: Dr. G. O. FORESTER,
AFRAeS, Chief of Research, Teddington
Aircraft Controls Ltd, Cefn Coed, Merthyr
Tydfil, South Wales. *Tel:* Merthyr Tydfil
3261.

Preston

President: F. D. CROWE, FRAeS.
Chairman: A. F. ATKIN, FRAeS.
Hon. Secretary: L. WILLOTT, AFRAeS, BAC
(Op) Ltd, Preston Division, Warton Aero-
drome, Preston, Lancashire. *Tel:*
Freckleton 531, Ext 269.

Prestwick

President: R. McINTYRE, FRAeS.
Chairman: B. J. G. ASBEEK BRUSSE,
AFRAeS.
Hon. Secretary: J. LOGAN, AFRAeS, Scottish
Aviation Ltd, Service Dept, Prestwick
Airport, Ayrshire. *Tel:* Prestwick 79888.

Reading

President: E. N. MOBBS.
Chairman: G. BOYCE, AFRAeS.
Hon. Secretary: E. W. C. ANGELL, ARAeS,
M. L. Aviation Co. Ltd, White Waltham,
Maidenhead, Berks. *Tel:* Littlewick
Green 248.

Southampton

President: A. N. CLIFTON, FRAeS.
Chairman: Professor G. M. LILLEY, FRAeS.
Hon. Secretary: P. W. FORTESCUE, AFRAeS,
Dept. of Aeronautics and Astronautics,
The University, Southampton. *Tel:* South-
ampton 56331, Ext 618.

Southend

President: J. R. BATT, ARAeS.
Chairman: K. A. COLE, AFRAeS.
Hon. Secretary: Wg. Cdr. E. F. PRICE,
ARAeS, Aviation Traders (Eng) Ltd,
Southend Airport, Essex. *Tel:* Southend
49471.

Swindon

President: W. GILLESPIE, AFRAeS.
Chairman: E. J. DAVIS, AFRAeS.
Hon. Secretary: G. N. GINGELL, AFRAeS,
Vickers Ltd, South Marston, Swindon,
Wilts. *Tel:* Stratton St. Margaret 3241.

Weybridge

President: Sir GEORGE EDWARDS, CBE,
FRS, HonFRAeS.
Chairman: E. S. ALLWRIGHT, FRAeS.
Hon. Secretary: A. M. DOBSON, AFRAeS,
BAC (Op) Ltd, Weybridge Division,
Weybridge, Surrey. *Tel:* Weybridge 45555.

Yeovil

President: E. C. WHEELDON, CBE, FRAeS.
Chairman: Dr. G. S. HISLOP, FRAeS.
Hon. Secretary: L. A. LANSDOWN, AFRAeS,
Westland Aircraft Ltd, Yeovil, Somerset.
Tel: Yeovil 5222.