

MRS-Taiwan to Host Second International Conference in Asia

The Second International Conference in Asia (IUMRS-ICA-94) will be held December 14–18, 1994 at National Chiao Tung University in Hsinchu, Taiwan. IUMRS-ICA-94 is being organized by MRS-Taiwan and the International Union of Materials Research Societies (IUMRS). It immediately precedes and will be held jointly with the International Conference on Electronic Materials (ICEM-94), which is scheduled for December 19–22, also at National Chiao Tung University. (See ad in this section.)

MRS-Taiwan President Li-Chung Lee is serving as the conference chair for the 1994 ICA, and Chien-Min Wang is chair of the program committee. Sponsors include the Chinese-MRS, European-MRS, MRS-India, MRS-Japan, and MRS-Korea.

IUMRS-ICA-94 will feature five symposia on structural materials technologies, with presentations taking place on December 15–16. Papers are being solicited

for the following topics:

A—Polymer Composites: high-performance thermoplastics, composite processing, CAD/CAE...

B—Structural Ceramics: nanostructure ceramics, non-oxide ceramics, ceramic coatings, near net shape processing, ceramic matrix composites...

C—High-Performance Metals: intermetallics, superalloys, nanostructure metals, lightweight metals, metal matrix composites...

D—Reliability and Failure Analysis: corrosion protection, tribology, nondestructive evaluation, life prediction, surface and interface analysis, fatigue...

E—New Materials Processing: novel processing, diamond films, energy saving processes, environmentally conscious manufacturing, computer-integrated manufacturing, strip casting...

Abstracts need to be submitted in a specified format by **June 15, 1994** to: Prof. Tsong P. Perng, Department of Materials

Science and Engineering, National Tsing Hua University, Hsinchu, Taiwan, ROC. Tel: 886-35-723857; Fax: 886-35-722366. Abstract templates are available from C-M. Wang at the IUMRS-ICA address listed below. All papers will be refereed, and proceedings of the symposia will be published in a single volume of *Transactions of MRS-Taiwan*.

ICA and ICEM participants will be able to take advantage of a two-day tour, December 17–18. Sights include the National Palace Museum in Taipei and the Taroko Gorge in Hualien. The Museum houses more than 600,000 Chinese treasures, some of them dating back 4,000 years. The Taroko Gorge, located in the easternmost section of the East-West Cross-Island Highway is a ravine lined with towering cliffs that contain millions of tons of marble deposits. Its 19-kilometer stretch includes 38 tunnels, some with windows gouged out to provide light and ventilation.

Enrich your reference collection with . . .

JOURNAL OF MATERIALS SYNTHESIS AND PROCESSING

Co-Editors: **Z. A. Munir** and **J. B. Holt**

Publishes peer-reviewed original papers and review articles from around the world on all aspects of high or low temperature synthesis and processing of materials, including ceramic, intermetallic, and composite materials.

Subscription: Volume 2, 1994 (6 issues)

A New Title!

JOURNAL OF CHEMICAL CRYSTALLOGRAPHY

formerly *Journal of Crystallographic and Spectroscopic Research*

Editor: **J. L. Atwood**

An international journal publishing research results in crystallography and its relation to problems of molecular structure. Reports structural studies based on X-ray, electron, and neutron diffraction, and theoretical research.

Subscription: Volume 24, 1994 (12 issues)

STRUCTURAL CHEMISTRY

An International Journal Concerned with Energy, Structure, and Their Relationships to Chemical, Physical, and Biological Properties

Co-Editors: **István Hargittai** and **Arthur Greenberg**

Explores a broad spectrum of topics in structural chemistry for researchers studying structure determination, energetics, and applications.

Subscription: Volume 5, 1994 (6 issues)

JOURNAL OF SCIENCE EDUCATION AND TECHNOLOGY

Editor-in-Chief: **Karen C. Cohen**

An interdisciplinary forum for original peer-reviewed articles promoting excellence in science education at all levels in the United States.

Subscription: Volume 3, 1994 (4 issues)



PLENUM PUBLISHING CORPORATION

233 Spring Street, New York, NY 10013-1578
Telephone orders: 212-620-8000

**For free sample copies, stop by the MRS Corporate Affiliate Table at the Spring Meeting
Or call . . .
1-800-221-9369 ext. 8425**

Circle No. 25 on Reader Service Card.

For further information about the conference program, registration, accommodations, and for abstract templates, contact: Dr. Chien-Min Wang, IUMRS-ICA-94, Materials Research Laboratories, ITRI, Bldg. 77, 195 Chung-Hsing Rd., Sec. 4, Chutung, Hsinchu, Taiwan, ROC. Tel: 886-35-820216; Fax: 886-35-820217 or 820262.

The IUMRS-ICA meetings are sponsored by regional materials research societies located in Asia and organized yearly by each of the members in rotation under IUMRS auspices. Upcoming ICAs will be held in Korea (1995), India (1996), and Japan (1997).

News about IUMRS conferences and activities can be sent to: *MRS Bulletin*, Materials Research Society, 9800 McKnight Road, Pittsburgh, PA 15237-6006. Fax: (412) 367-4373.

Update: E-MRS Spring Meeting Offers Workshop on Advanced Materials Education

A special two-day workshop on Advanced Materials Education is being planned for the 1994 E-MRS Spring Meeting in Strasbourg, May 24-27. According to chairmen Gabriel M. Crean (National Microelectronics Research Centre, Ireland) and Jean-Pierre Massué (Council of Europe, France), the workshop's goal is to bring together leading materials science educators, researchers, and industrialists to discuss ways to develop "a materials science education roadmap for the 21st century."

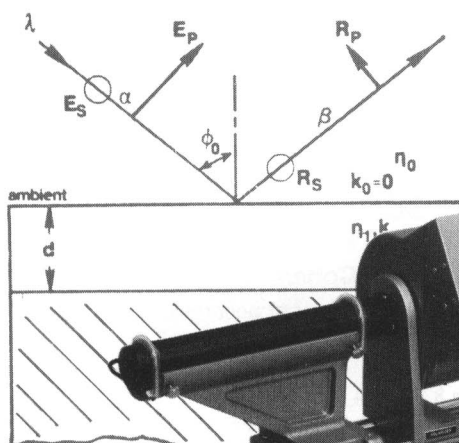
Invited keynote talks will focus on the following topics:
Strategies in education for materials science and engineering;
Teaching materials for materials science and engineering courses;
European standardization of materials science curricula;

University-industry cooperation in curriculum design;
Undergraduate education in materials science and education; and
International, European, and national policies in materials science and engineering education.

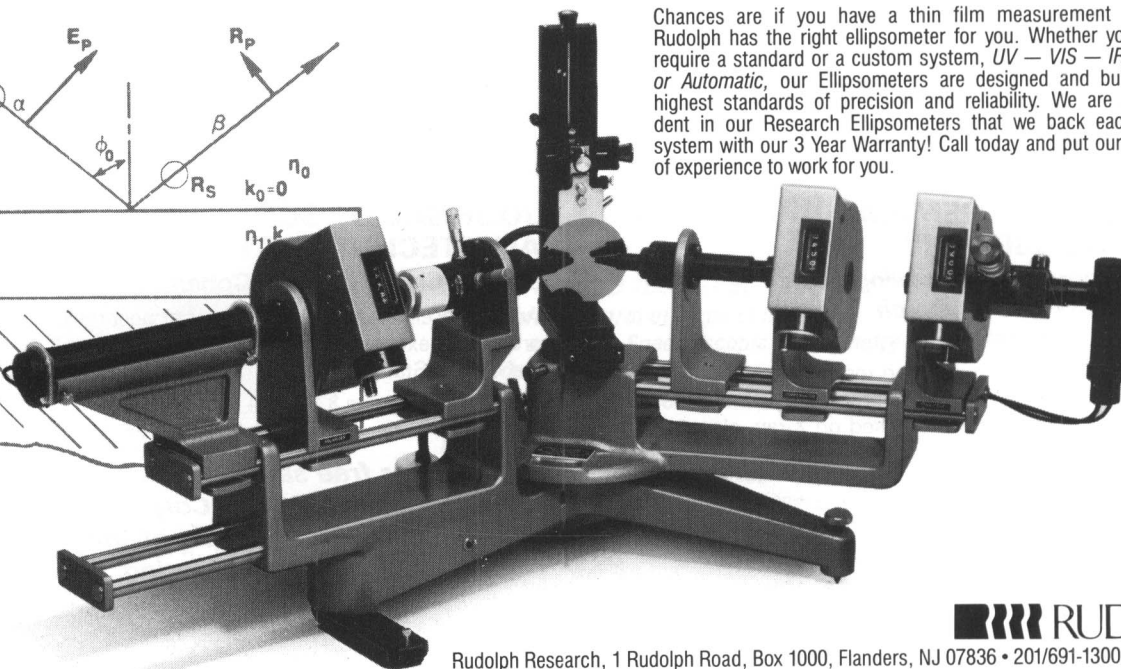
For further information about the workshop, contact the chairmen: Gabriel M. Crean, Director Postgraduate Education, National Microelectronics Research Centre, Prospect Row, Cork, Ireland. Tel: 353-21-276871; Fax: 353-21-270271. Jean-Pierre Massue, Council of Europe, Secretary General of the European Federation of Scientific Networks, 67006 Strasbourg Cédex, France. Tel: 88-88-412614; Fax: 33-88-412787.

See the January 1994 *MRS Bulletin*, p. 36, for information about the E-MRS Spring Meeting.

FROM 1Å TO 60,000Å FILM MEASUREMENT SOLUTIONS BEGIN WITH RUDOLPH



Chances are if you have a thin film measurement problem, Rudolph has the right ellipsometer for you. Whether your needs require a standard or a custom system, UV - VIS - IR, Manual or Automatic, our Ellipsometers are designed and built to the highest standards of precision and reliability. We are so confident in our Research Ellipsometers that we back each optical system with our 3 Year Warranty! Call today and put our 30 years of experience to work for you.



RUDOLPH

Rudolph Research, 1 Rudolph Road, Box 1000, Flanders, NJ 07836 • 201/691-1300 • FAX 691-5480

Circle No. 27 on Reader Service Card.