

The Journal of Laryngology and Otology

EDITED BY
WALTER HOWARTH

WITH THE ASSISTANCE OF
V. E. NEGUS AND F. W. WATKYN-THOMAS

Contents

THE ANATOMICAL BASIS OF CHRONIC FRONTAL SINUSITIS	{ Dr. J. VAN DER HOEVEN LEONHARD
CHOLESTEATOMA IN AURAL SUPPURATION: ITS RELATION TO PROGNOSIS	T. B. JOBSON
CHOLESTEROL METABOLISM	JOHN ADDYMAN GARDNER
CLINICAL RECORDS—	
AN UNUSUAL CASE OF ENDOTHELIOMA OF THE NASOPHARYNX	{ THOMAS GUTHRIE W. HOWEL EVANS
SPASMODIC PALPEBRAL OEDEMA WITH ETHMOIDITIS.	E. WATSON-WILLIAMS
SOCIETIES' PROCEEDINGS:—	
ROYAL SOCIETY OF MEDICINE—SECTION OF OTOLOGY	
AUSTRIAN OTOLOGICAL SOCIETY	
VIENNA LARYNGO-RHINOLOGICAL SOCIETY	
ABSTRACTS:—	
THE EAR	PHARYNX AND TONSIL
THE NOSE AND ACCESSORY SINUSES	ESOPHAGUS AND BRONCHOSCOPY
THE LARYNX	MISCELLANEOUS
OBITUARY—PROFESSOR GUSTAV ALEXANDER (VIENNA)	
REVIEW OF BOOK	GENERAL NOTES

Oliver and Boyd

London: 33 Paternoster Row, E.C.

Edinburgh: Tweeddale Court

Monthly, 4/- net

Annual Subscription, 40/- net

The Journal of Laryngology and Otology

(Founded in 1887 by MORELL MACKENZIE and NORRIS WOLFENDEN)

EDITED BY
WALTER HOWARTH

ASSISTED BY
V. E. NEGUS AND F. W. WATKYN-THOMAS

1. Original Articles are accepted on the condition that they have not been published elsewhere.

2. Manuscripts should be typewritten, on one side only of the paper, and well spaced.

3. Galley proofs and engraver's proofs of illustrations are sent to the author. Corrections, which should be kept to a minimum, must be clearly marked and no additional matter should be added.

4. The order for reprints should be sent when returning galley proofs, and for this purpose special forms are supplied, on which the price of the reprints is stated.

5. Authors of Original Communications on Oto-Laryngology in other Journals are invited to send a copy, or two reprints, to the *Journal of Laryngology*. If they are willing, at the same time, to submit their own abstract (in English, French, Italian, or German) it will be welcomed.

6. Editorial Communications should be addressed to "EDITOR, *Journal of Laryngology*, c/o Messrs OLIVER AND BOYD, Tweeddale Court, Edinburgh."

7. The Annual Subscription is Forty Shillings, post free, and is payable in advance.

8. Single copies of back numbers, both of the present and the previous series, are on sale at Four Shillings each.

9. An Annual Subscription can be commenced with any number of the Journal, and the preceding numbers of the current year can be purchased at Four Shillings each.

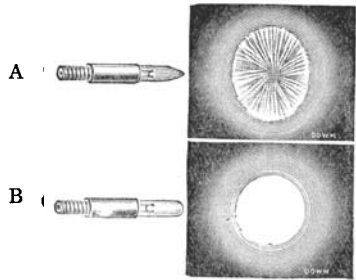
UNITED STATES OF AMERICA

Orders for this Journal, for single parts or yearly subscriptions, can be sent either through a local bookseller, or to Messrs G. E. STECHERT & CO., 31-33 East 10th Street, New York.

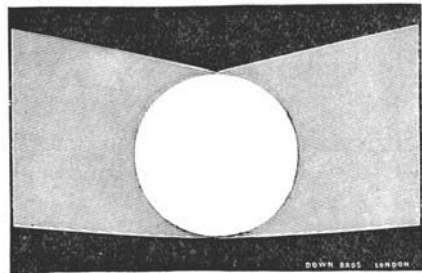
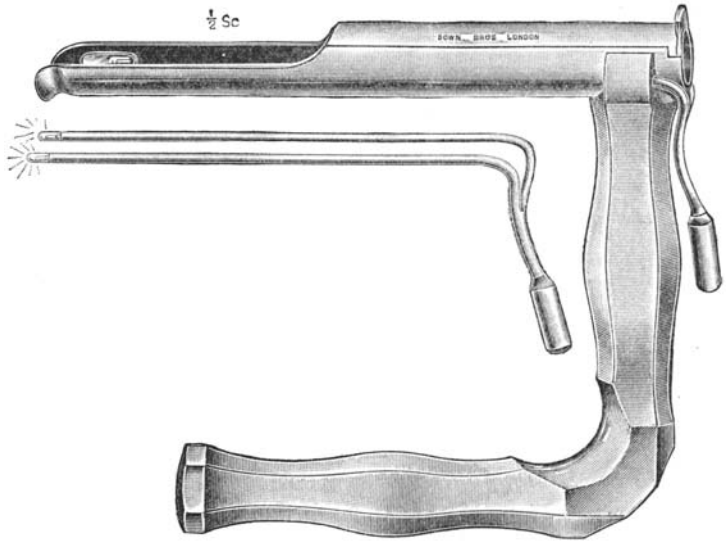
**DOWN BROS.'
NEW BRONCHOSCOPIC LAMPS**

A Shows the usual Howarth or Jackson Lamp which throws a forward shadow from the "pip" at the point.

B Shows the new HOWARTH pipless lamp giving even illumination.
(Foreign bulb. English mounting)



**NEW
PRISM
PANEL
AND
TWIN
ILLUMIN-
ATION
GIVING
CLEAN
SURFACE
AND AN
EVEN,
BRIGHT,
SHADOWLESS FIELD
OF
ILLUMINATION**



Telegrams—"DOWN, LONDON."
Telephone—HOP 4400 (4 lines).

Manufactured only by
DOWN BROS., L^{TD.}
SURGICAL INSTRUMENT MAKERS
21 and 23 ST THOMAS'S STREET
LONDON, S.E. 1
(Opposite Guy's Hospital)

THE GOLDEN SQUARE THROAT, NOSE AND EAR HOSPITAL

Near Piccadilly Circus

LONDON, W. 1

HONORARY MEDICAL STAFF

Surgeons

Mr. T. JEFFERSON FAULDER	Mr. F. CUNLIFFE ORMEROD
Mr. LIONEL COLLEDGE	Mr. A. R. DINGLEY.
Mr. GILBERT CHUBB	Mr. G. H. HOWELLS

Assistant Surgeons

Mr. S. A. BEARDS	Mr. J. C. HOGG
Mr. J. F. SIMPSON	Mr. M. L. FORMBY

The Hospital now has 101 beds for In-patients and an annual Out-patient attendance of about 60,000.

CLINICAL INSTRUCTION

Clinical Instruction in the Diagnosis and Treatment of Diseases of the Throat, Nose and Ear is given daily in the Out-patient Department from 2 to 5 p.m., and on Tuesdays and Thursdays from 6.30 to 8 p.m. Major operations are performed daily, except Saturdays, in the In-patient Operating Theatres. Minor operations are performed in the Out-patient Department by the Assistant Surgeons on three mornings a week. Special Demonstrations are held in the Out-patient Department each Monday and Wednesday at 3 p.m.

Practitioners and Medical Students are admitted to the practice of the Hospital, and Clinical Assistants, whose duty it is to assist the staff, are appointed from time to time among them. For further information apply to the Dean, Mr. F. CUNLIFFE ORMEROD.

INSTRUMENTS AND EQUIPMENT FOR

Examination of Ear, Nose and Throat, Operation on Tonsils, Adenoids, Mastoid, Nasal Septum

As supplied to and used in

EAR, NOSE AND THROAT DEPARTMENT, ROYAL INFIRMARY, EDINBURGH
THE EDINBURGH EYE, EAR AND THROAT INFIRMARY, ETC., ETC.

ALSO THE CHEVALIER JACKSON INSTRUMENTS

ARCHD. YOUNG & SON LTD., 57-61 FORREST RD., EDINBURGH

Surgical Instrument Makers to Royal Infirmary, Edinburgh

'Phone: 20669.

Telegrams: "Bandage, Edinburgh," A.B.C. Code, 5th Ed.

CONTENTS

	PAGE
THE ANATOMICAL BASIS OF CHRONIC FRONTAL SINUSITIS. Dr. J. van der Hoeven Leonhard, Amsterdam	369
CHOLESTEATOMA IN AURAL SUPPURATION: ITS RELATION TO PROGNOSIS. T. B. Jobson, Guildford	380
CHOLESTEROL METABOLISM. John Addyman Gardner	395
CLINICAL RECORDS—	
An Unusual Case of Endothelioma of the Nasopharynx. Thomas Guthrie and W. Howel Evans, Liverpool	406
Spasmodic Palpebral Œdema with Ethmoiditis. E. Watson-Williams, Bristol	410
SOCIETIES' PROCEEDINGS—	
Royal Society of Medicine—Section of Otology	413
Austrian Otological Society	421
Vienna Laryngo-Rhinological Society	424
ABSTRACTS—	
The Ear	426
The Nose and Accessory Sinuses	436
The Larynx	439
Pharynx and Tonsil	440
Œsophagus and Bronchoscopy	442
Miscellaneous	442
OBITUARY—	
Professor Gustav Alexander (Vienna)	444
REVIEW OF BOOK	446
GENERAL NOTES	448

THE INTRA-NASAL IONIZER

(PROV. PAT. 17608/31)



FOR HAY FEVER AND NON-SUPPURATIVE RHINITIS

For applying current to the nasal tissues for the treatment of Hay Fever and paroxysmal Rhinitis, as described by Mr Philip Franklin, F.R.C.S., in the *British Medical Journal*, 27th June 1931. The apparatus consists of positive and negative electrodes, through which is conveyed a galvanic current from the battery as shown in the illustration.

PRICES

Complete outfit as illustrated £6, 18s. 6d.
 Ionizer, Headband, Knee Pad and Flexes, only £1, 8s. 6d.

Full particulars will be sent on application to the manufacturers and patentees

THEODORE HAMBLIN LTD.
 15 WIGMORE STREET
 LONDON, W. 1