

The Journal of Laryngology and Otology

EDITED BY
WALTER HOWARTH

WITH THE ASSISTANCE OF
V. E. NEGUS AND F. W. WATKYN-THOMAS

* Contents

THE INDICATIONS FOR RADICAL OPERATION IN CHRONIC MIDDLE-EAR SUPPURATION	S. H. MYGIND
SOME POST-OPERATIVE RESULTS OF THE RADICAL MASTOID OPERATION IN CHILDREN. POST - OPERATIVE OTORRHOEA	N. ASHERSON
CLINICAL RECORDS—	
TWO CASES OF AURAL CHOLESTEATOMA	Dr. W. STEWART
TWO CASES OF ACUTE OSTEOMYELITIS OF THE CRANIAL VAULT	PHILIP GARSON
SOCIETIES' PROCEEDINGS:—	
SCOTTISH SOCIETY OF OTOLOGY AND LARYNGOLOGY	
ABSTRACTS:—	
THE EAR	ESOPHAGUS AND BRONCHOSCOPY
THE NOSE AND ACCESSORY SINUSES	MISCELLANEOUS
THE LARYNX	
OBITUARY—	
BURTON ALEXANDER RANDELL (PHILADELPHIA)	
JOHN EDMUND MACKENTY (NEW YORK)	
GENERAL NOTES	

Oliver and Boyd

London : 33 Paternoster Row, E.C.

Edinburgh : Tweeddale Court

Monthly, 4/- net

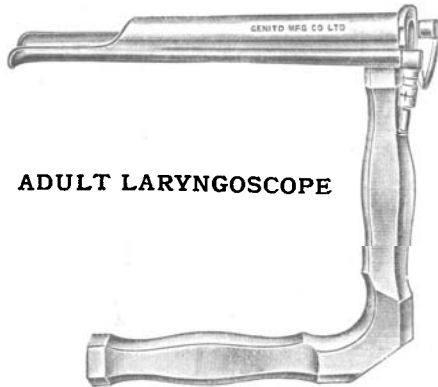
Annual Subscription, 40/- net



**ADULT ŒSOPHAGEAL
SPECULUM
with Aspirating Channel**



**CHILD SIZE
LARYNGOSCOPE**



ADULT LARYNGOSCOPE

**New Laryngoscopes and Œsophageal Speculæ with Proximal
Lighting as designed for V. E. Negus, M.S., F.R.C.S.**

by

THE G_{ENITO-}U_{RINARY} MFG. Co., LTD.

28a DEVONSHIRE STREET, LONDON, W.1

Telephone :
Welbeck 3520, 3529

Telegrams :
"Cystoscope, Wesdo, London."

The Local Application of Heat

BECAUSE the application of a hot Antiphlogistine Dressing supplies continuous moist heat, and because of its high glycerine content and other synergistic agents, it has for its effect:

1. *The relaxation of tissues, particularly of the muscle fibres;*
2. *The production of an active hyperaemia, with resultant increased flow of lymph and of arterial circulation;*
3. *A marked sedative and analgesic effect on the sensory nerves;*
4. *A pronounced bactericidal effect on heat-sensitive organisms.*

Antiphlogistine Dressing, therefore, may be prescribed with every confidence in all inflammations and congestions and wherever it is desired to create an intensive hyperaemia in any particular area.

•
Sample and literature upon request

THE DENVER CHEMICAL MFG. CO.

LONDON, E. 3.

in all
RHEUMATIC
conditions

in all cases
of
INFLAMMATION

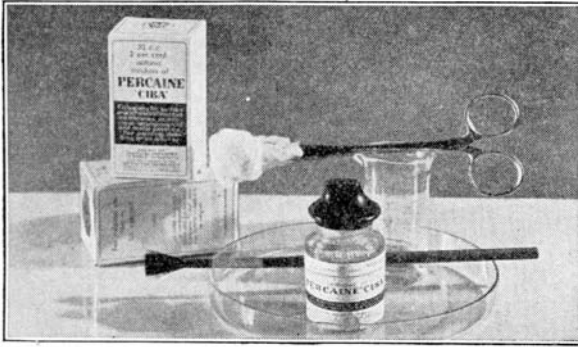
in
TRAUMA and
CONGESTION

ANTIPHLOGISTINE

BRAND DRESSING

TWO PER CENT.
ISOTONIC SOLUTION

PERCAINE "CIBA"



Exclusively for surface anæsthesia of mucous membranes in oto-rhino-laryngological and dental practice. For painting, dabbing, or as a spray.

Stoppered bottles containing 30 c.c.

THE CLAYTON ANILINE CO. LTD., 40 Southwark Street, LONDON, S.E.1
Telephone: Hop 4474 (8 lines). Pharmaceutical Department. Telegrams: Cibadyes Doroh London

WHY YOU SHOULD PRESCRIBE

DeVilbiss

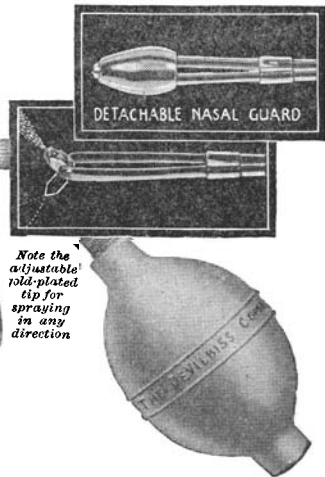
SPRAY N°15

First, because it conforms to the specifications of nose and throat specialists. Second, because the adjustable gold tip permits spraying in any direction. Third, because all parts are interchangeable and may be sterilised by boiling or passing the tip through a flame. Write for fully illustrated catalogue of all DeVilbiss models—post free on request.

AEROGRAPH CO. LTD.

43 Holborn Viaduct, London, E.C. 1

Sole Distributors of DeVILBISS Products in the United Kingdom



Note the adjustable gold-plated tip for spraying in any direction

The Journal of Laryngology and Otology

(Founded in 1887 by MORELL MACKENZIE and NORRIS WOLFENDEN)

EDITED BY
WALTER HOWARTH

ASSISTED BY
V. E. NEGUS AND F. W. WATKYN-THOMAS

1. Original Articles are accepted on the condition that they have not been published elsewhere.
2. Manuscripts should be typewritten, on one side only of the paper, and well spaced.
3. Galley proofs and engraver's proofs of illustrations are sent to the author. Corrections, which should be kept to a minimum, must be clearly marked and no additional matter should be added.
4. The order for reprints should be sent when returning galley proofs, and for this purpose special forms are supplied, on which the price of the reprints is stated.
5. Authors of Original Communications on Oto-Laryngology in other Journals are invited to send a copy, or two reprints, to the *Journal of Laryngology*. If they are willing, at the same time, to submit their own abstract (in English, French, Italian, or German) it will be welcomed.
6. Editorial Communications should be addressed to "EDITOR, *Journal of Laryngology*, c/o Messrs OLIVER AND BOYD, Tweeddale Court, Edinburgh."
7. The Annual Subscription is Forty Shillings, post free, and is payable in advance.
8. Single copies of back numbers, both of the present and the previous series, are on sale at Four Shillings each.
9. An Annual Subscription can be commenced with any number of the Journal, and the preceding numbers of the current year can be purchased at Four Shillings each.

UNITED STATES OF AMERICA

Orders for this Journal, for single parts or yearly subscriptions, can be sent either through a local bookseller, or to Messrs G. E. STECHERT & Co., 31-33 East 10th Street, New York.

INSTRUMENTS AND EQUIPMENT FOR

Examination of Ear, Nose and Throat, Operation on Tonsils, Adenoids, Mastoid, Nasal Septum

As supplied to and used in

EAR, NOSE AND THROAT DEPARTMENT, ROYAL INFIRMARY, EDINBURGH
THE EDINBURGH EYE, EAR AND THROAT INFIRMARY, ETC., ETC.

ALSO THE CHEVALIER JACKSON INSTRUMENTS

ARCHD. YOUNG & SON LTD., 57-61 FORREST RD., EDINBURGH

Surgical Instrument Makers to Royal Infirmary, Edinburgh

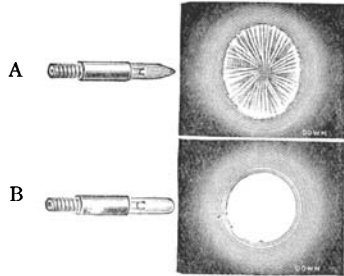
Phone : 20669.

Telegrams : "Bandage, Edinburgh," A.B.C. Code, 5th Ed.

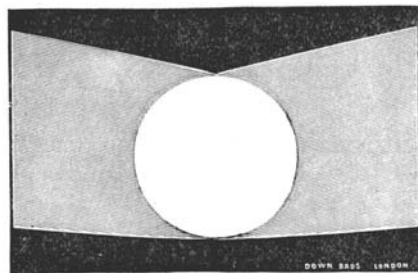
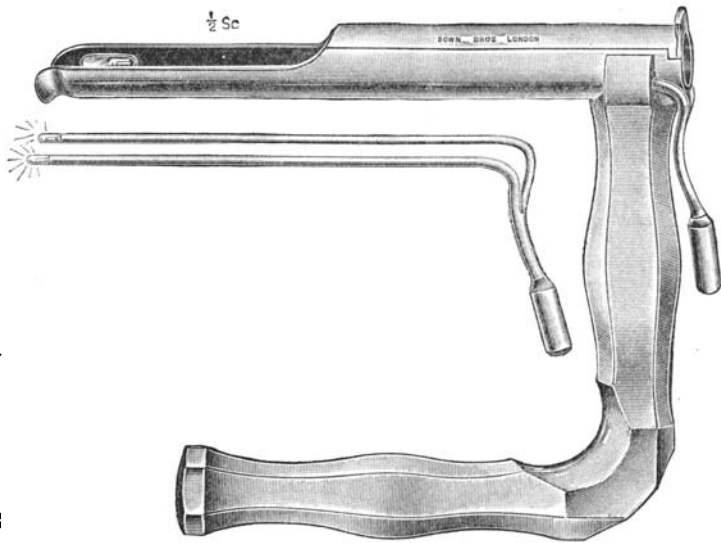
DOWN BROS.'

NEW BRONCHOSCOPIC LAMPS

A Shows the usual Howarth or Jackson Lamp which throws a forward shadow from the "pip" at the point.
 B Shows the new HOWARTH pipless lamp giving even illumination.



**NEW
 PRISM
 PANEL
 AND
 TWIN
 ILLUMIN-
 ATION
 GIVING
 CLEAN
 SURFACE
 AND AN
 EVEN,
 BRIGHT,
 SHADOWLESS FIELD
 OF
 ILLUMINATION**



Telegrams—"DOWN, LONDON."
 Telephone—HOP 4400 (4 lines).

Manufactured only by

DOWN BROS., LTD.

SURGICAL INSTRUMENT MAKERS

21 and 23 ST THOMAS'S STREET

LONDON, S.E. 1

(Opposite Guy's Hospital)

CONTENTS

	PAGE
THE INDICATIONS FOR RADICAL OPERATION IN CHRONIC MIDDLE-EAR SUPPURATION S. H. Mygind	297
SOME POST-OPERATIVE RESULTS OF THE RADICAL MASTOID OPERATION IN CHILDREN. POST-OPERATIVE OTORRHOEA. N. Asherson, London .	317
CLINICAL RECORDS—	
Two Cases of Aural Cholesteatoma. Dr. W. Stewart, Southampton .	333
Two Cases of Acute Osteomyelitis of the Cranial Vault. Philip Garson, Liverpool	334
SOCIETIES' PROCEEDINGS—	
Scottish Society of Otology and Laryngology	337
ABSTRACTS—	
The Ear	357
The Nose and Accessory Sinuses	361
The Larynx	363
Oesophagus and Bronchoscopy	364
Miscellaneous	365
OBITUARY—	
Burton Alexander Randell (Philadelphia)	367
John Edmund Mackenty (New York), 1869-1931	367
GENERAL NOTES	368

THE INTRA-NASAL IONIZER

(PROV. PAT. 17608/31)



FOR HAY FEVER AND NON-SUPPURATIVE RHINITIS

For applying current to the nasal tissues for the treatment of Hay Fever and paroxysmal Rhinitis, as described by Mr Philip Franklin, F.R.C.S., in the *British Medical Journal*, 27th June 1931. The apparatus consists of positive and negative electrodes, through which is conveyed a galvanic current from the battery as shown in the illustration.

PRICES

Complete outfit as illustrated £6, 18s. 6d.
 Ionizer, Headband, Knee Pad and Flexes, only £1, 8s. 6d.

Full particulars will be sent on application to the manufacturers and patentees

THEODORE HAMBLIN LTD.
 15 WIGMORE STREET
 LONDON, W. 1